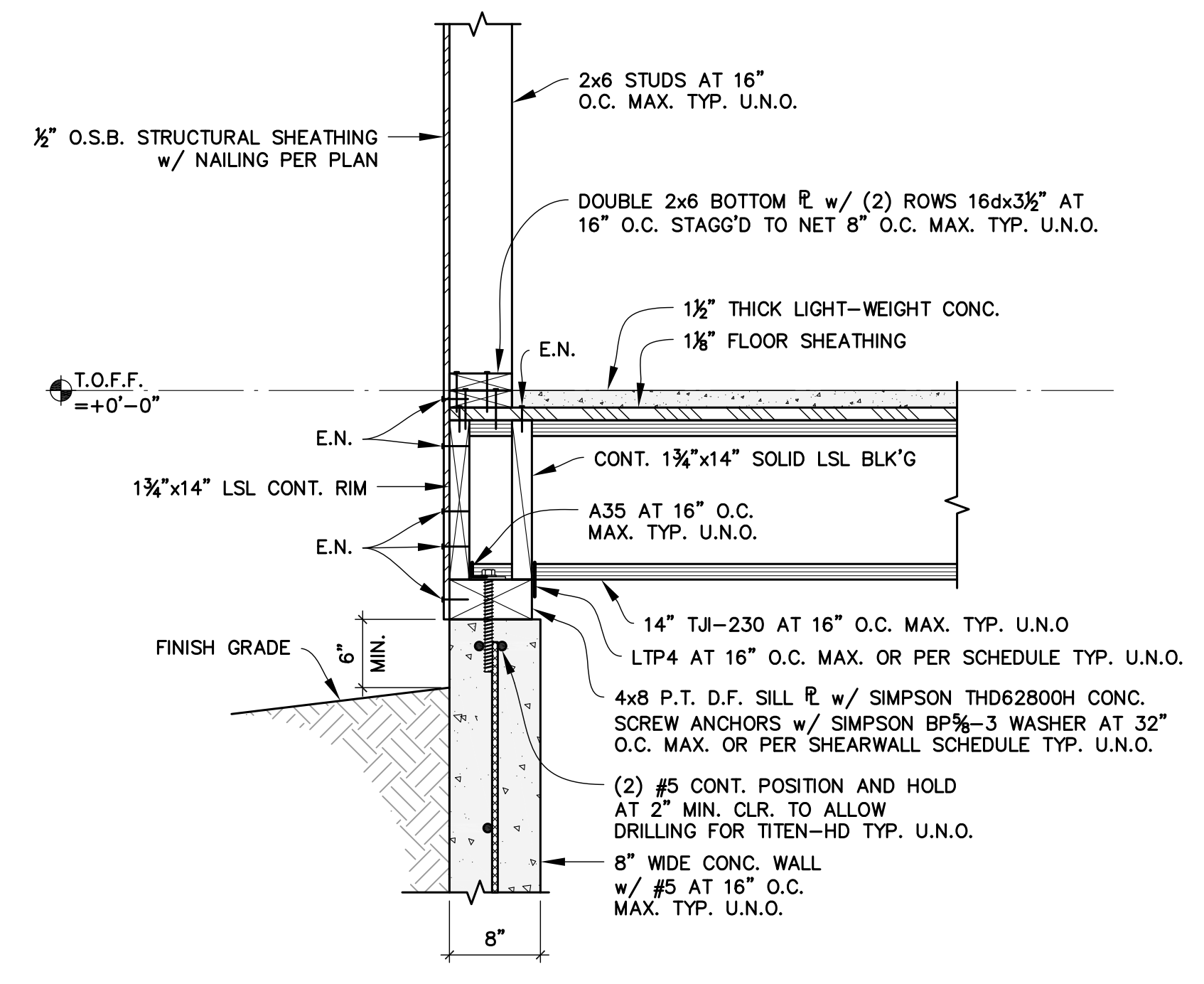


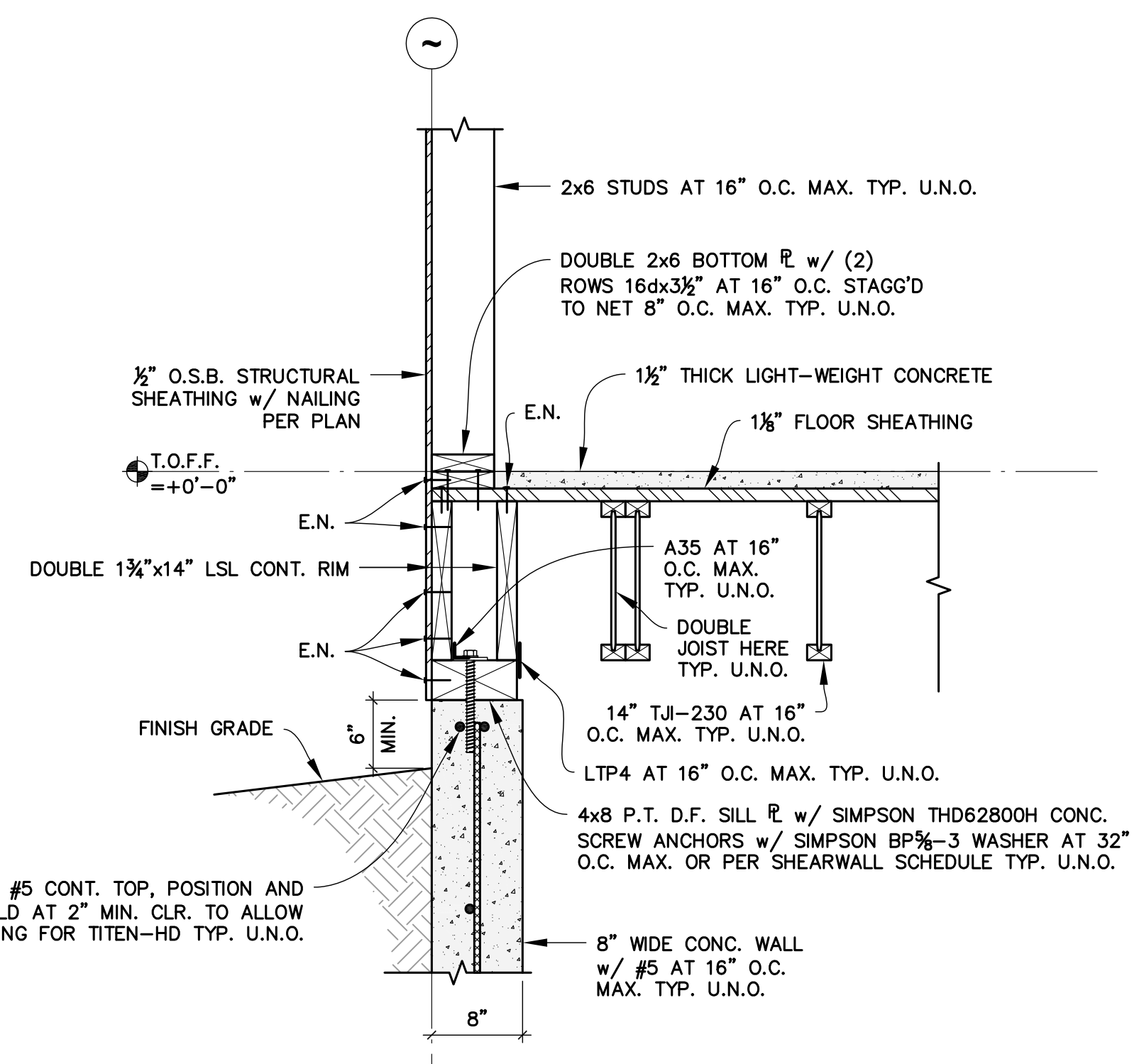
TYP. POST PEDESTAL DETAIL
SCALE: 1" = 1'-0"

1
S4.1



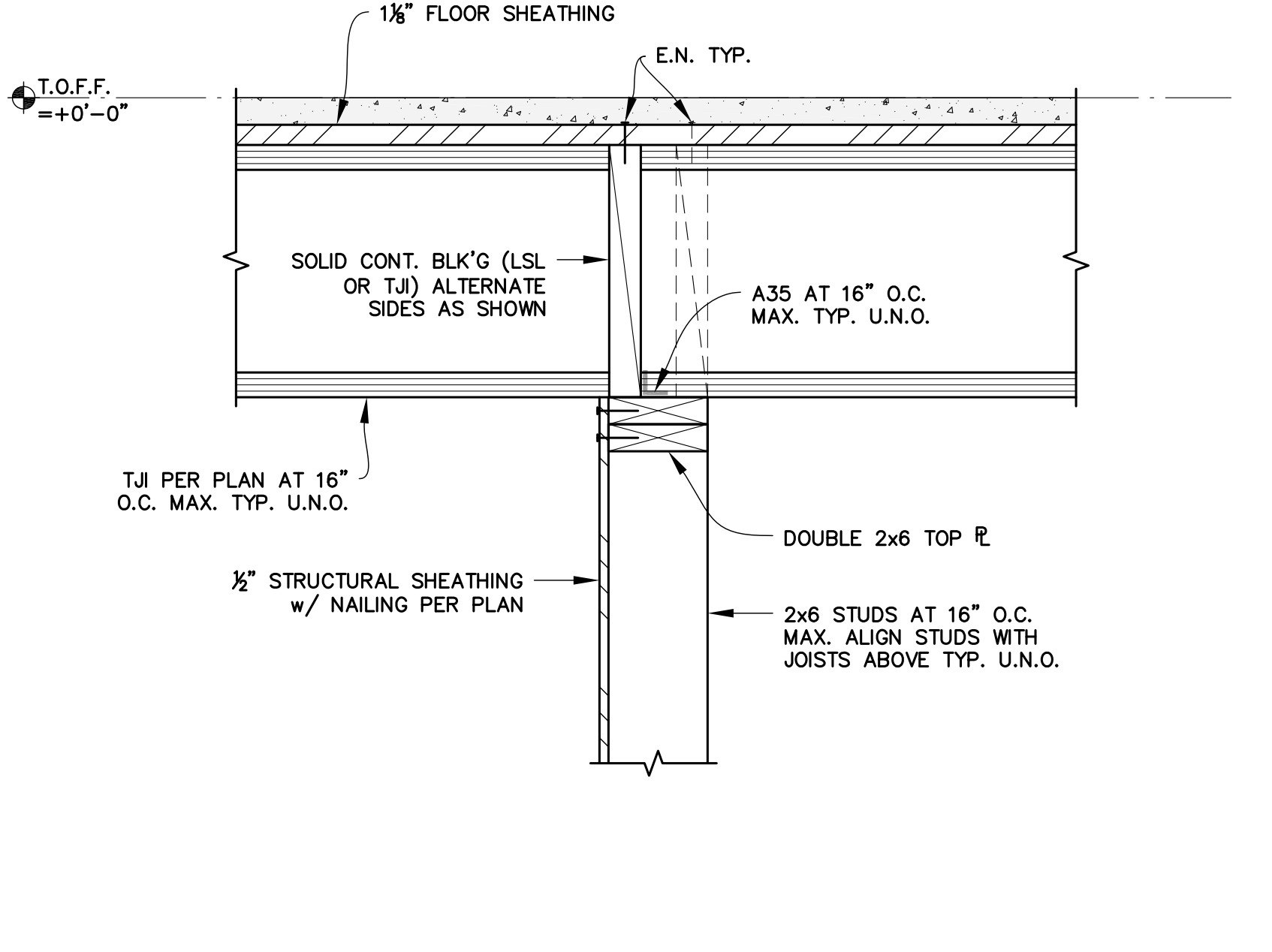
TYPICAL JOIST PERPENDICULAR TO CONC. WALL
SCALE: 1" = 1'-0"

2
S4.1



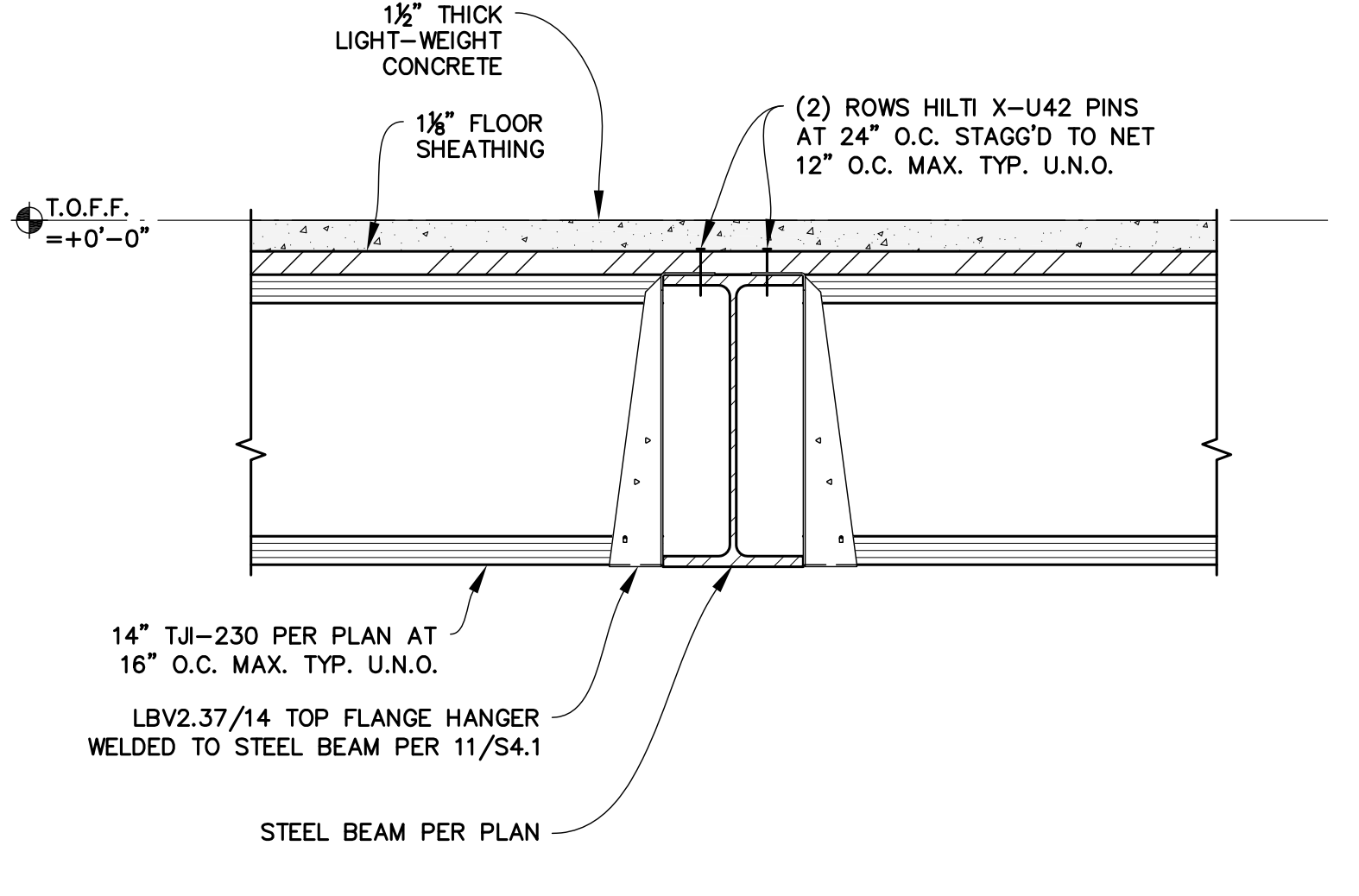
TYPICAL JOIST PARALLEL TO CONC. WALL
SCALE: 1" = 1'-0"

3
S4.1



TYPICAL 2x6 STUD WALL INTERIOR BEARING/CONNECTION DETAIL
SCALE: 1/2" = 1'-0"

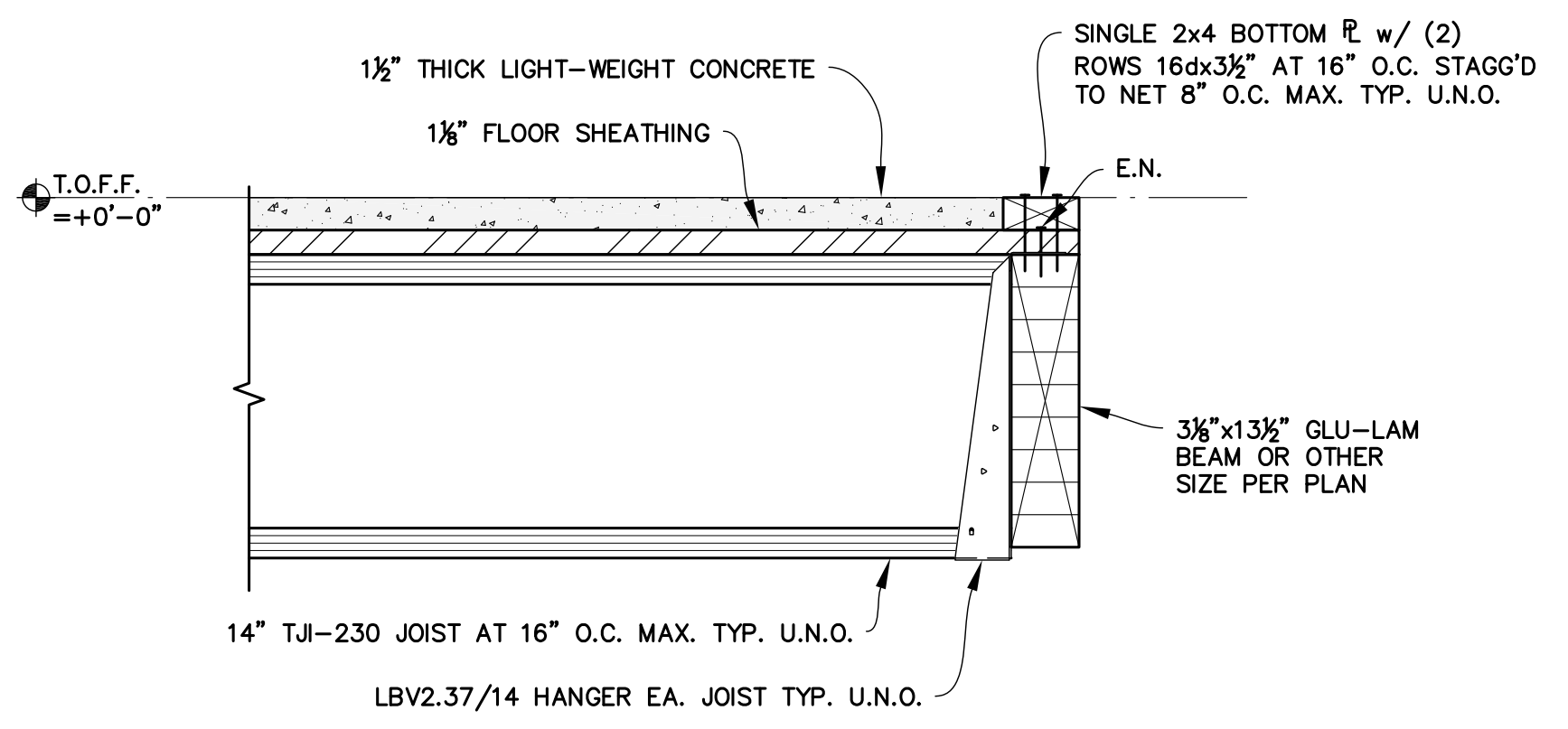
4
S4.1



TYPICAL JOIST TO BEAM CONNECTION DETAIL
SCALE: 1/2" = 1'-0"

1309DT15

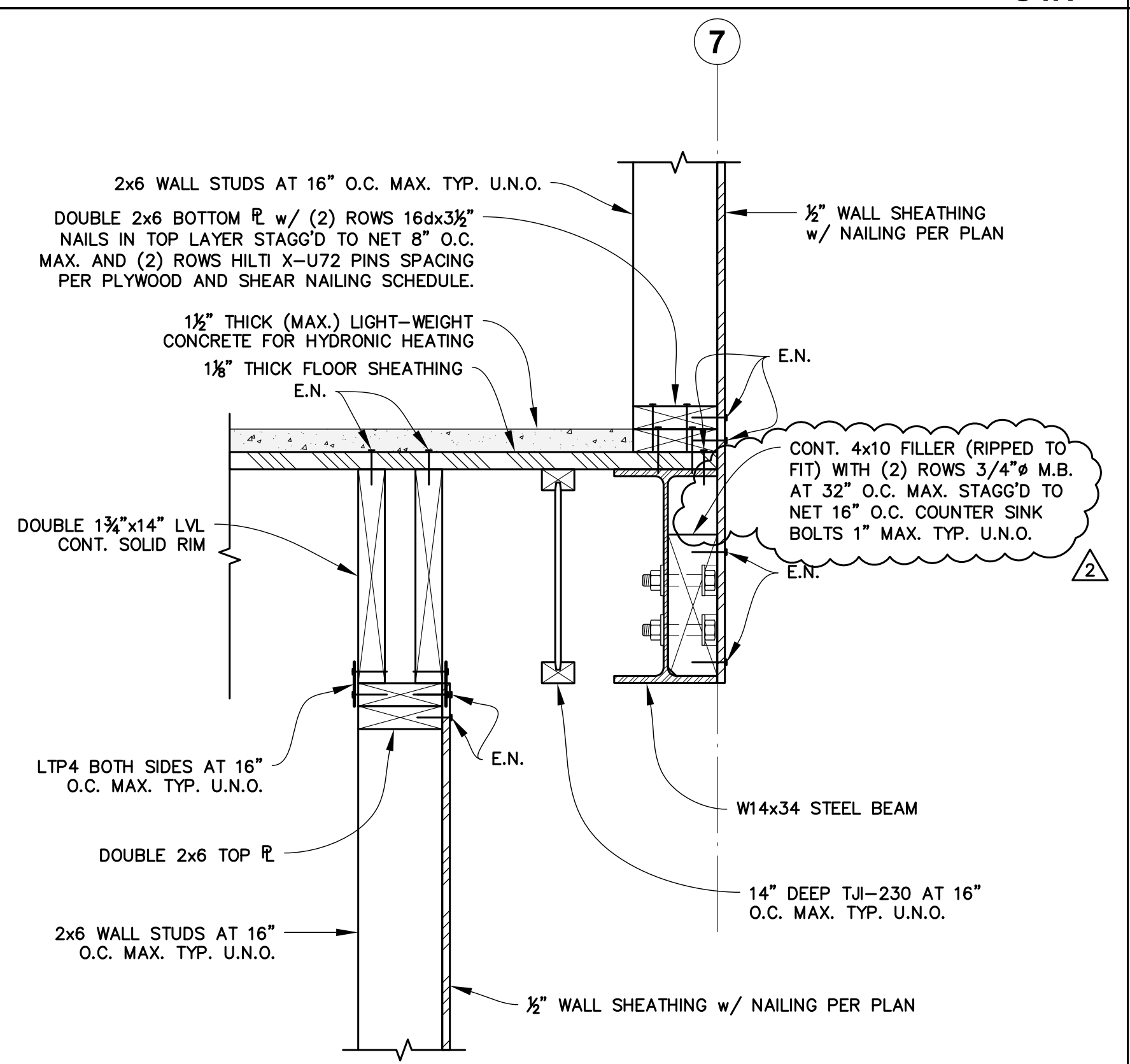
5
S4.1



TYPICAL JOIST CONNECTION AT OPENINGS
SCALE: 1/2" = 1'-0"

1309DT16

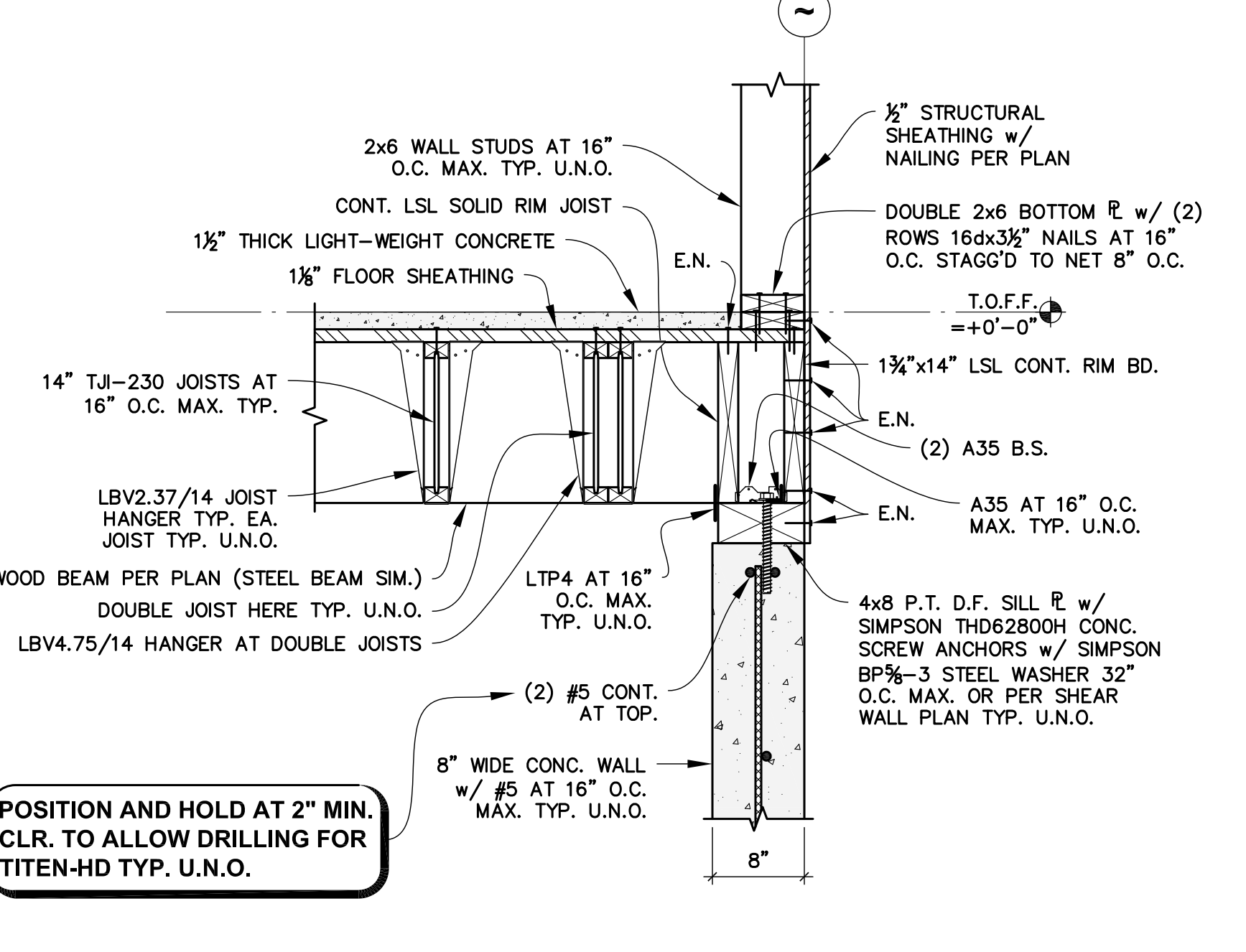
6
S4.1



TYPICAL GARAGE FLOOR CANTILEVER CONNECTION
SCALE: 1/2" = 1'-0"

1309DT05

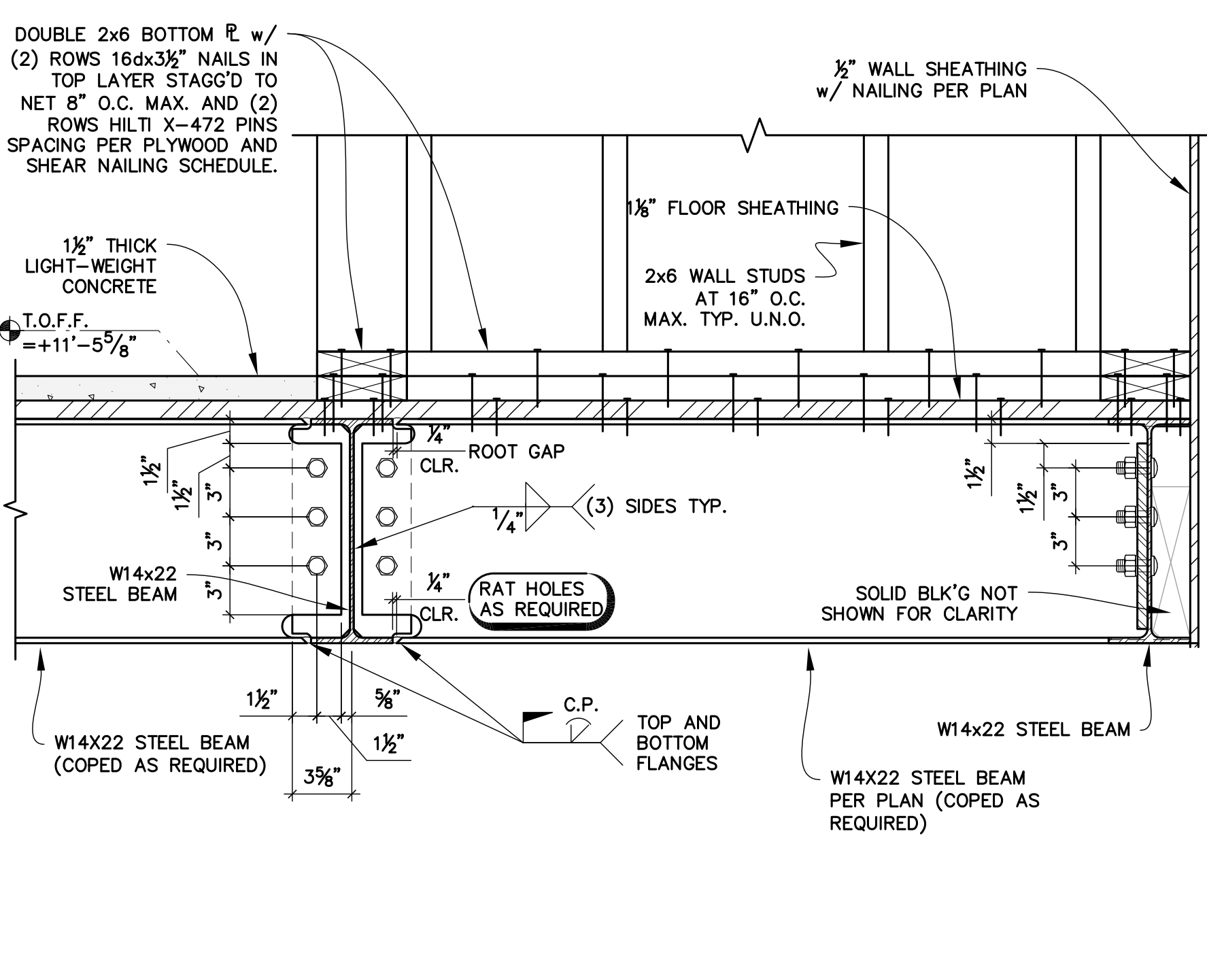
7
S4.1



TYPICAL BEAM TO CONC. WALL CONNECTION DETAIL
SCALE: 1" = 1'-0"

1309DT19

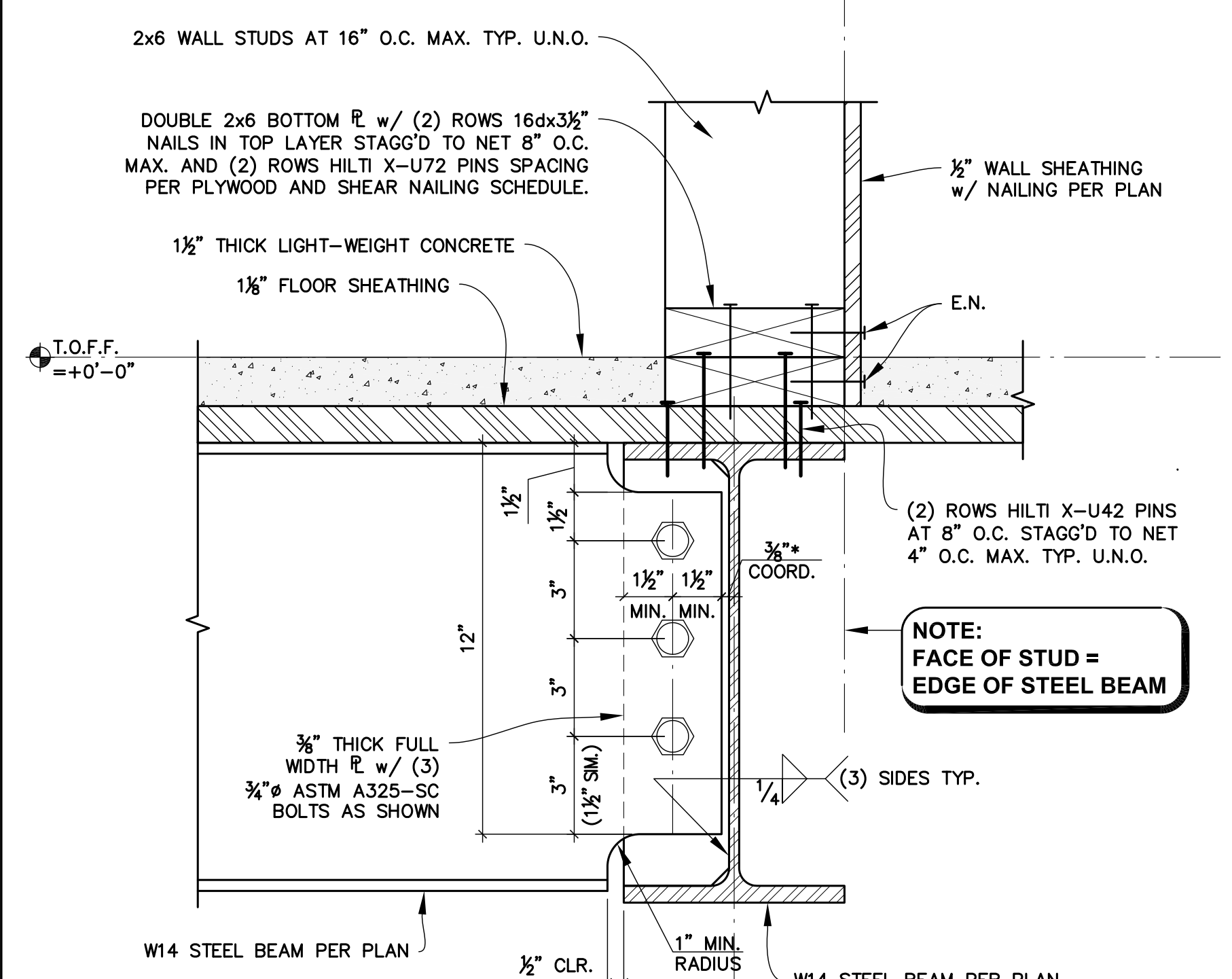
8
S4.1



STEEL BEAM MOMENT CONNECTION
SCALE: 1" = 1'-0"

1309DT27

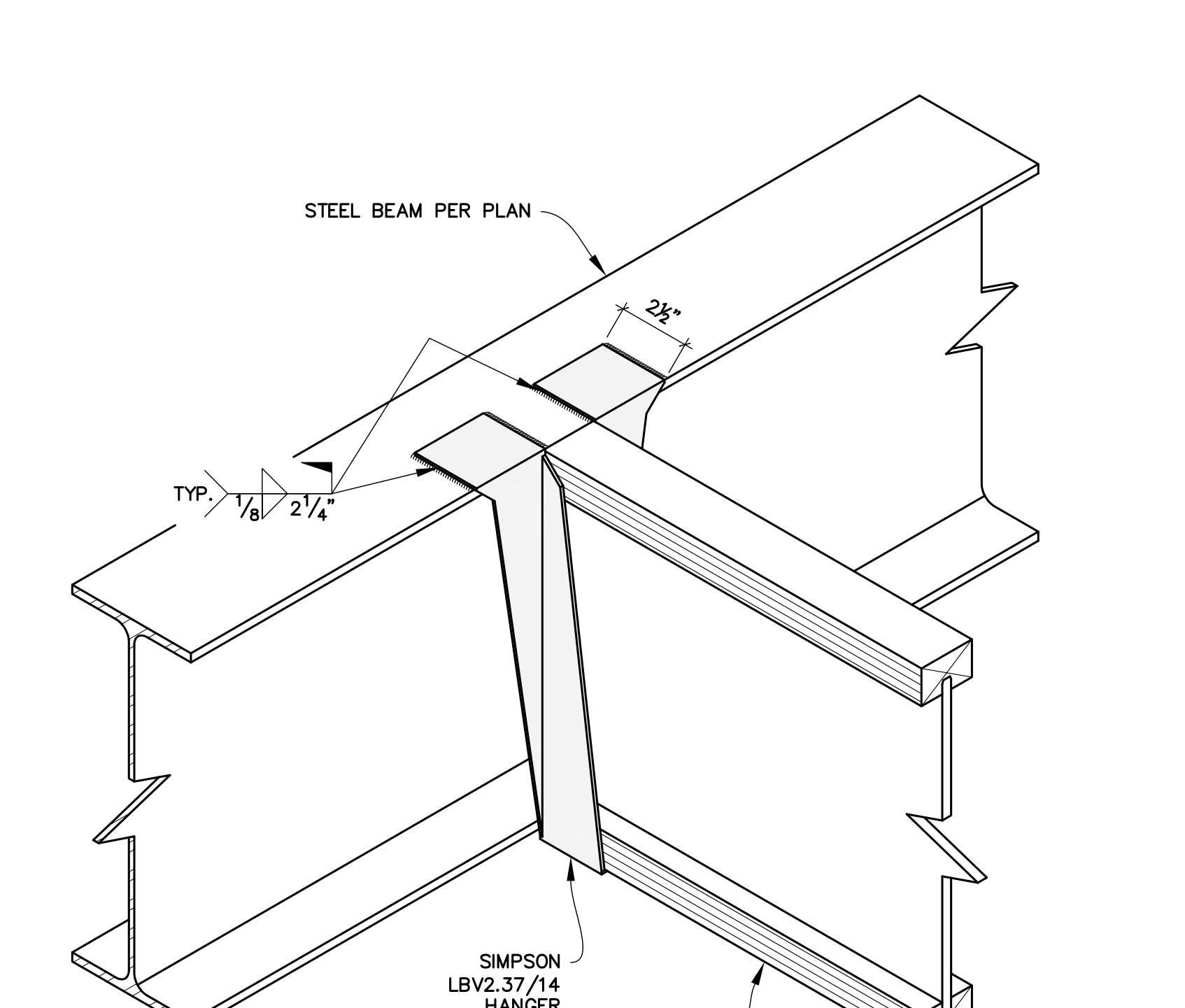
9
S4.1



TYPICAL STEEL BEAM CONNECTION DETAIL
SCALE: 3" = 1'-0"

1309DT28

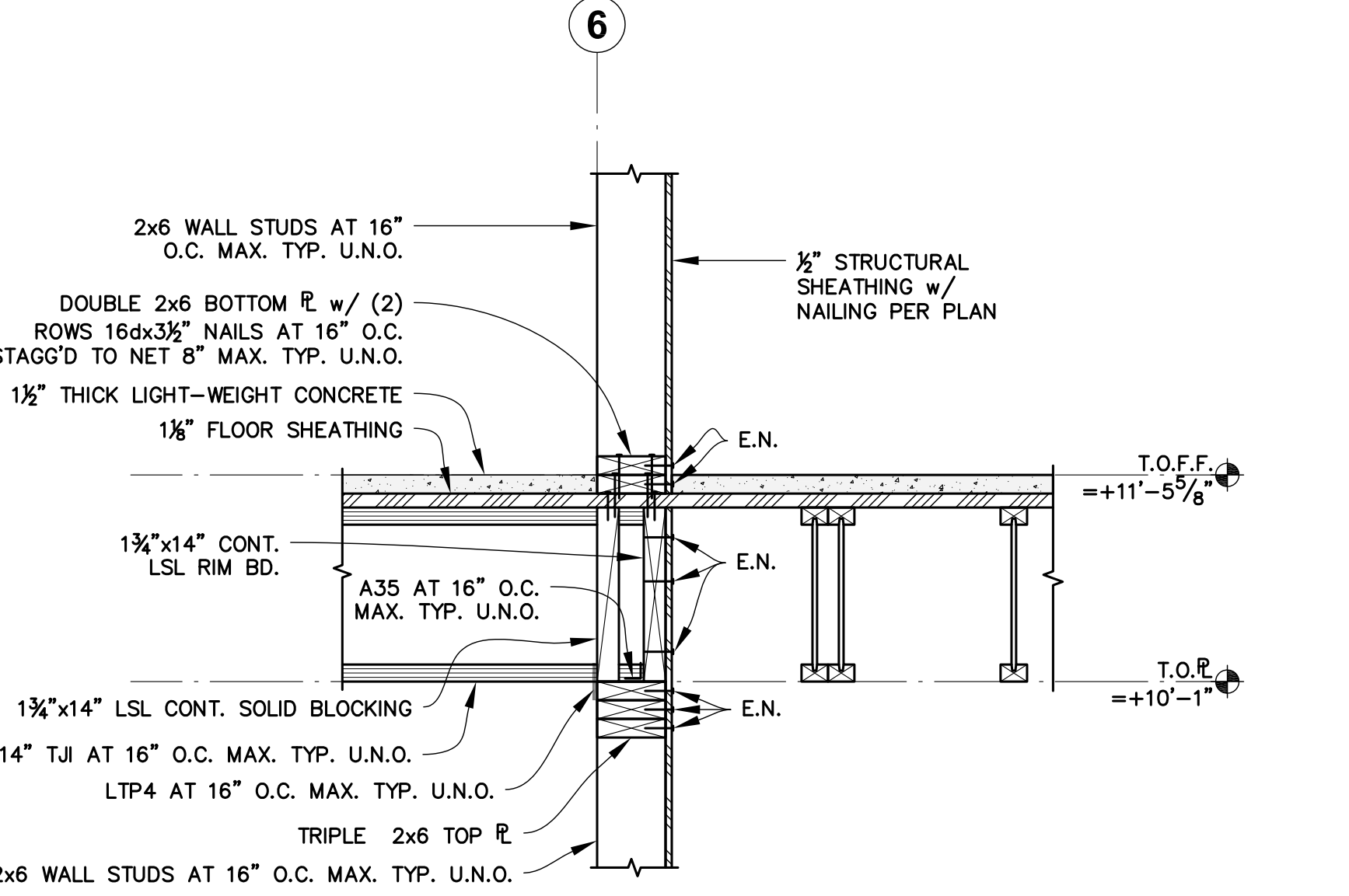
10
S4.1



TYPICAL WELDED HANGER CONNECTION DETAIL
SCALE: ISO(3" = 1'-0")

1309DT40

11
S4.1



SHEAR CONNECTION AT GARAGE WALL
SCALE: 1" = 1'-0"

1309DT45

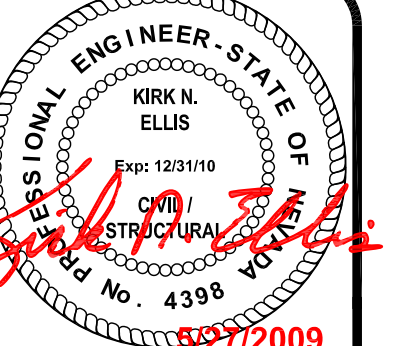
12
S4.1

NOTE:
TYPICAL DETAILS ARE NOT USUALLY CUT OR REFERENCED. THEY ARE INTENDED TO APPLY IN ALL SUCH SIMILAR CONDITIONS, WHETHER REFERENCED OR NOT.

NOTE:
COORDINATE ALL DIMENSIONS, CONDITIONS AND DETAILS WITH THE ARCHITECTURAL DRAWINGS. REPORT ANY DISCREPANCIES TO STRUCTURAL ENGINEER, TYP. U.N.O.

KNE COPYRIGHT 2009
ALL ASPECTS OF THE DESIGNS SHOWN ON THESE DRAWINGS ARE COPYRIGHT PROTECTED BY KNE & ASSOCIATES ENGINEERS. SEVERE CIVIL AND/OR CRIMINAL PENALTIES MAY APPLY TO ANY WHO COPY THESE DRAWINGS WITHOUT WRITTEN AUTHORIZATION BY KNE.

ISSUED FOR BUILDING DEPARTMENT PLAN CHECK
May 27, 2009



KNE
KIRK N. ELLIS & ASSOCIATES
STRUCTURAL ENGINEERS
2445 FARETTO LANE
WASHOE COUNTY, NV 89511
PHONE: (775) 322-7733 FAX: (775) 322-5372
E-MAIL: KNEASSOC@SBCGLOBAL.NET

Steven and Jackie Vicks Residence
2445 Faretto Lane
Washoe County, NV 89511

REVISIONS:
DATE: 05/27/2009
BY: AS SHOWN
REASON: BLW
DRAWN: TRH/KNE
CHECKED: KNE
DATE: 1309

STRUCTURAL FLOOR FRAMING DETAILS

SHEET TITLE:
SHEET NO.
S4.1
OF 14 SHEETS